

Heat exchangers



Hi-Temp is a spiral heat exchanger made of thermoplastic with a high glass content for extra durability.

Hi-Temp 40-75kW

Hi-Temp is a spiral heat exchanger made of thermoplastic with a high glass content for extra durability, and with a coil of acid proof stainless steel.

Maximum pressure secondary circuit (pool water) is 4 bar and primary circuit (hot water) is 5 bar.

Suitable for pools up to 300 m³.

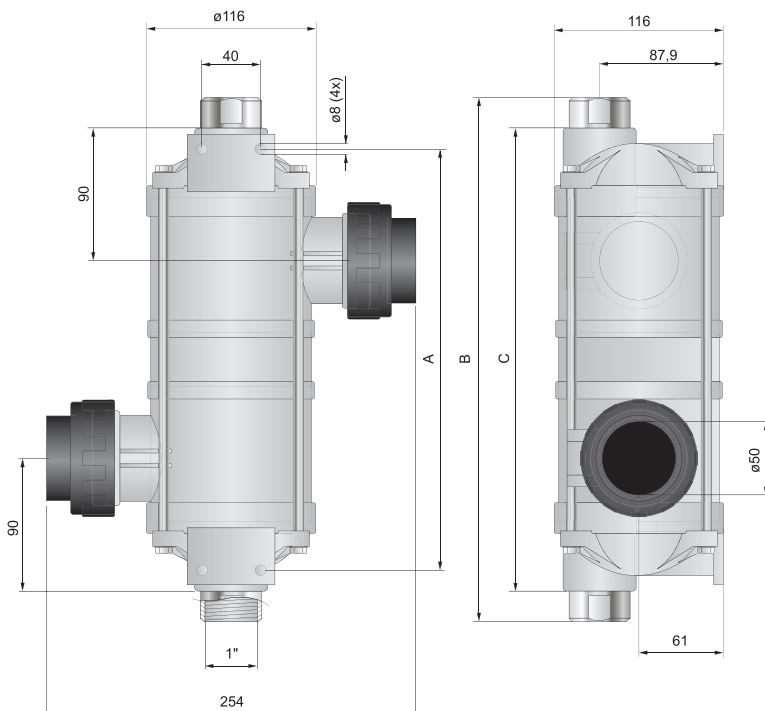
Features

- Outer jacket of thermoplastic
- Hot water coil made of acid proof stainless steel
- Integrated wall-mounting
- Slip connections for bonding of Ø 50 mm pipes
- Two sizes 40 and 75 kW
- Connects to existing heat source
- Mounted horizontally or vertically

Technical data

Item no.	Type	Capacity			Primary, hot water		Secondary, pool water		kg
		kW	kBtu/h	kcal	l/min	press. drop H (m)	l/min	press. drop H (m)	
11312	HT40	40	135	34 393	34	1.9	300	1.3	1.8
11314	HT75	75	260	64 488	43	5.5	300	1.7	2.3

Capacity at a temperature difference of 60°C



Dimensions

Item no.	kW	A	B	C
11312	40	277	360	315
11314	75	454	535	492

Also available with connections 1 ½" pipe or 1 ½" threaded, on secondary side.