

# Heat exchangers



Hi-Temp titanium is a spiral heat exchanger made of thermoplastic with a high glass content for extra durability and titanium.

## Hi-Temp titanium 40-75kW

Hi-Temp titanium is a spiral heat exchanger made of thermoplastic with a high glass content for extra durability. With a coil of titanium for the most demanding installations where there is a high risk of corrosion, such as in pools with salt water or where a salt chlorinator is used.

Maximum pressure secondary circuit (pool water) is 4 bar and primary circuit (hot water) is 5 bar.

Suitable for pools up to 300 m<sup>3</sup>.

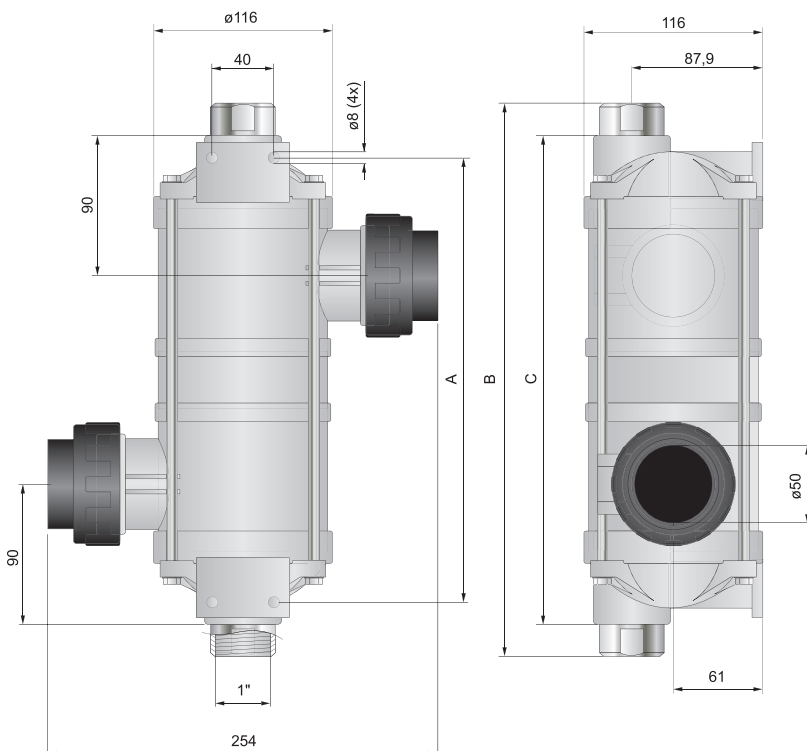
## Features

- Outer jacket of thermoplastic
- Hot water coil made of titanium
- Integrated wall-mounting
- Slip connections for bonding of Ø 50 mm pipes
- Two sizes 40 and 75kW
- Connects to existing heat source
- Mounted horizontally or vertically

## Technical data

Item no.	Type	Capacity			Primary, hot water		Secondary, pool water		
		kW	kBtu/h	kcal	l/min	press. drop H (m)	l/min	press. drop H (m)	kg
11322	HTT 40	40	135	34 393	52	1.5	300	1.1	2.3
11324	HTT 75	75	260	64 488	58	2.5	300	1.2	3.5

Capacity at a temperature difference of 60°C



## Dimensions

Item no.	kW	A	B	C
11322	40	418	375	277
11324	75	670	625	452

Also available with connections 1 1/2" pipe or 1 1/2" threaded, on secondary side.