

Electric heaters



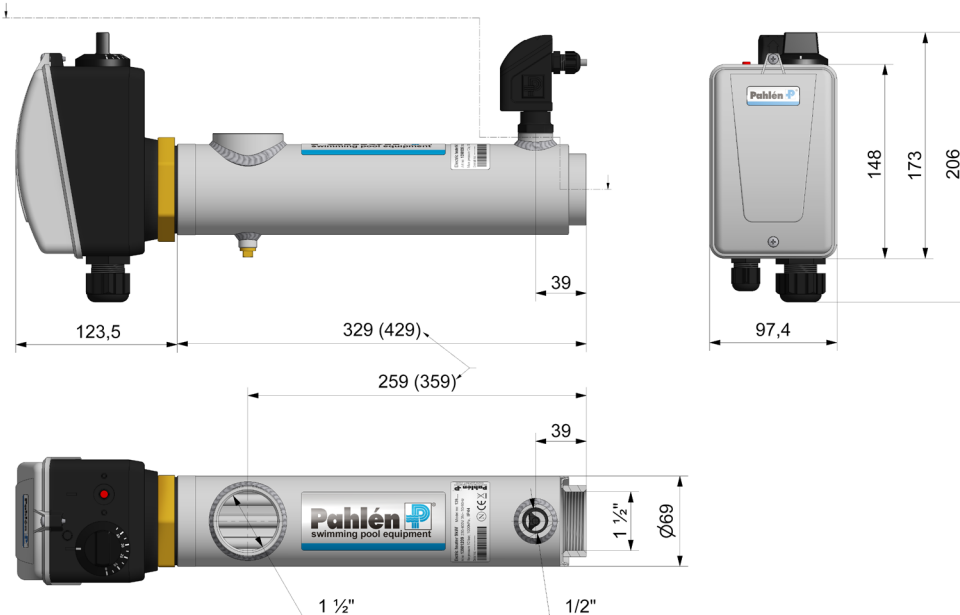
Compact 3-18kW

Supplied with a thermostat and overheating cut out. A flow switch or pressure switch protects the heating element from damage if the flow to the heater is insufficient.

These electric heaters are available in both titanium/Nic-Tech and acid proof stainless steel/ Incoloy 825.

All compact electric heaters are delivered with a 2" heating element. Max. pressure: 4 bar.

Suitable for private pools up to 100 m³



Dimensions for 9 - 18kW within brackets



Electric heaters

With pressure switch. Max 4 bar

Unipolar thermostat 0-45°C, pressure switch, tripolar high limit control 60°C

Item no.	Type	kW	Ampere 3-phase		kg
			230V	400V	
13982206	13P60	6.0	15	9	2.8
13982209	13P90	9.0	23	14	3.2

Unipolar thermostat 0-45°C, pressure switch, unipolar high limit control 60°C

Item no.	Type	kW	230V	400V	kg
13982403	11P30	3.0	8	5	2.8
13982406	11P60	6.0	15	9	2.8
13982409	11P90	9.0	23	14	3.2
13982412	11P120	12.0	31	18	3.2
13982415	11P150	15.0	38	22	3.2
13982418	11P180	18.0	46	27	3.2

With flow switch. Max 2.5 bar

Unipolar thermostat 0-45°C, flow switch, unipolar high limit control 60°C

Item no.	Type	kW	Ampere 3-phase		kg
			230V	400V	
13981403*	11F30*	3.0	8	5	2.4
13981406*	11F60*	6.0	15	9	2.4
13981409*	11F90*	9.0	23	14	2.7
13981412*	11F120*	12.0	31	18	2.7
13981415*	11F150*	15.0	38	22	2.7
13981418*	11F180*	18.0	46	27	2.7

Tripolar high limit control 60°C, flow switch

13981506	03F60	6.0	15	9	2.9
13981509	03F90	9.0	23	14	3.3

With flow switch. Max 2.5 bar

Unipolar thermostat 0-45°C, flow switch, tripolar high limit control 60°C

Item no.	Type	kW	Ampere 3-phase		kg
			230V	400V	
13981203	13F30	3.0	8	5	3.1
13981206	13F60	6.0	15	9	3.1
13981209	13F90	9.0	23	14	3.1
Unipolar high limit control 60°C, flow switch					
13981306	01F60	6.0	15	9	2.9
13981309	01F90	9.0	23	14	3.3
13981312	01F120	12.0	31	18	3.3
13981315	01F150	15.0	38	22	3.3
13981318	01F180	18.0	46	27	3.3

*Available with outer jacket made of titanium and Nic-Tech treated heating element. These heaters are designed for pools with very aggressive water, large quantities of chlorides and where there is a high risk for corrosion, e.g. in pools with salt water.

When ordering titanium model, choose compact electric heater and add a "T" after the item no. Applies to the following article 139814xxT.

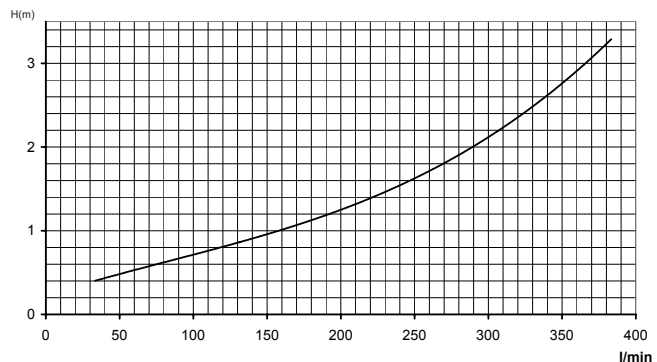
Technical data

	With flow switch	With pressure switch
Max temperature	60°C	60°C
Max pressure	2.5 bar	4 bar
Min. flow 3-9kW	85 l/min	20 l/min
Min. flow 12-18kW	85 l/min	40 l/min

Features

- Body and pipework of acid proof stainless steel
- Heating elements of Incoloy 825
- Selected models with body made of titanium and Nic-Tech treated heating elements
- Equipped with thermostat, overheating cut out and flow switch
- Small and compact
- Adjustable brackets of acid proof stainless steel
- Connection 1 1/2"

Pressure drop



For installations where aggressive water increases the risk of corrosion, we recommend a body of titanium with a Nic-Tech treated heating element.